



Model Driven Architecture™

Using Industry Standards for Total Business Integration

David S. Frankel

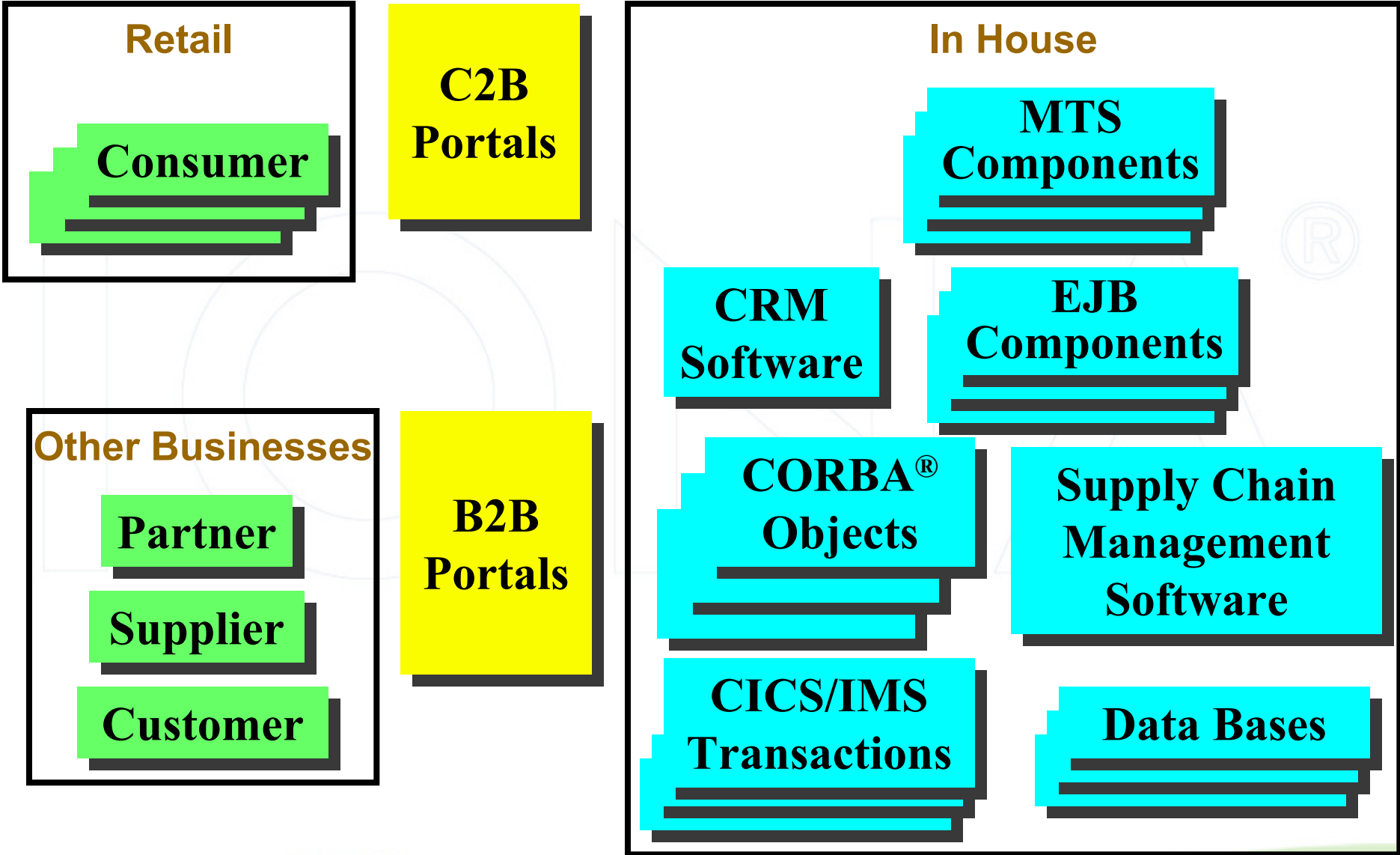
Chief Consulting Architect, Advanced Technologies

Strategic Enterprise Solutions Group

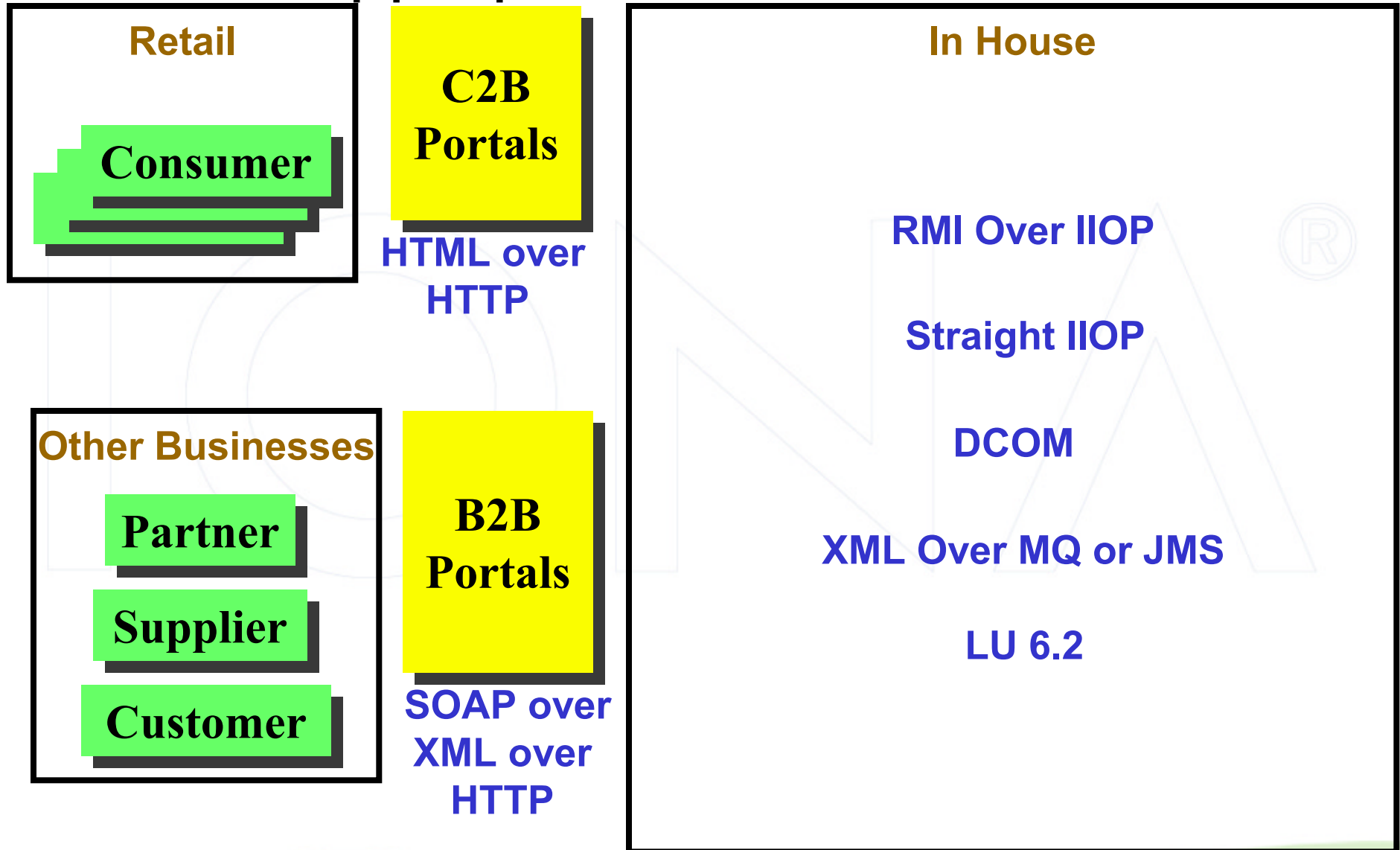
IONA Technologies

david.frankel@iona.com

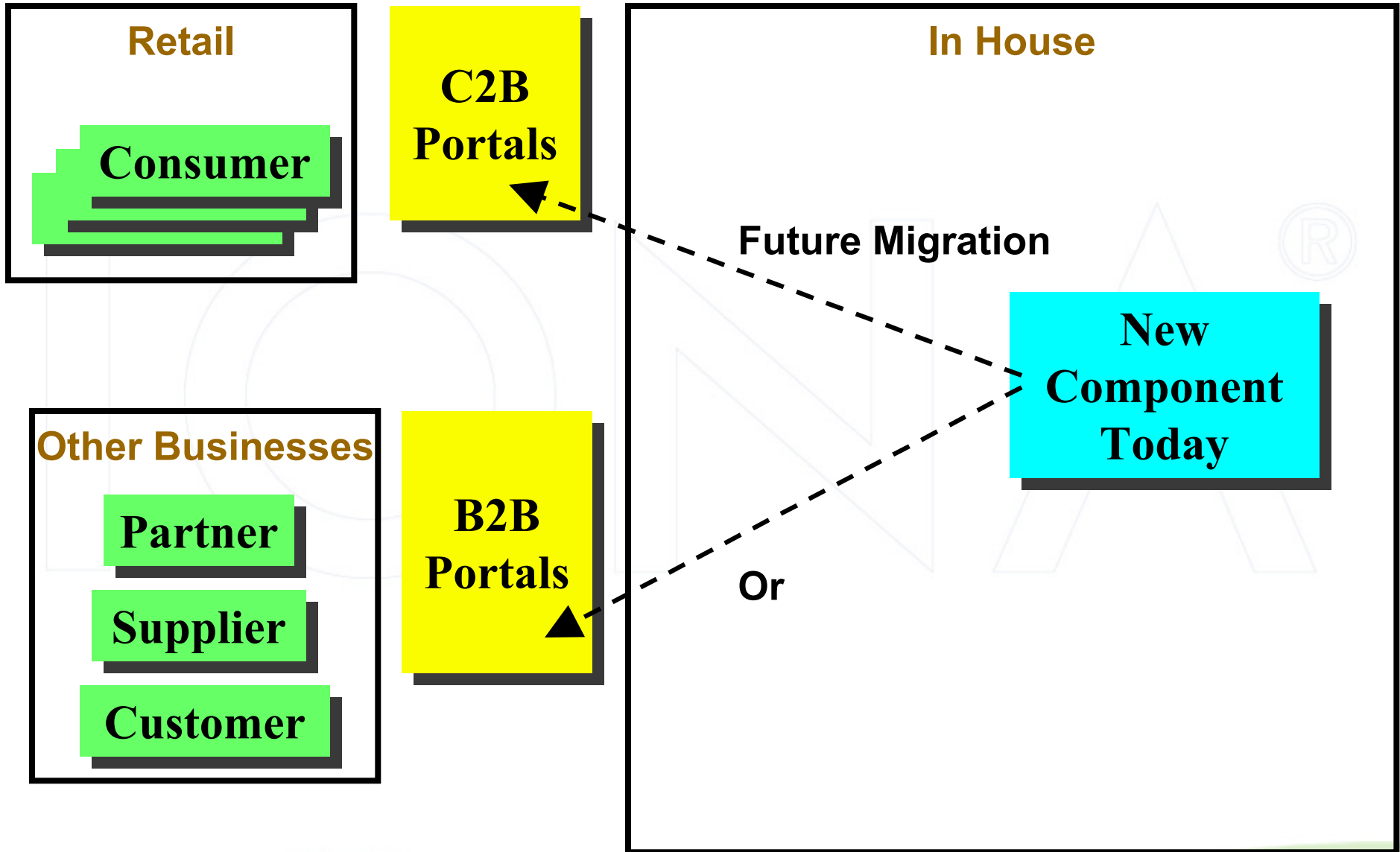
The Enterprise and Its Boundaries



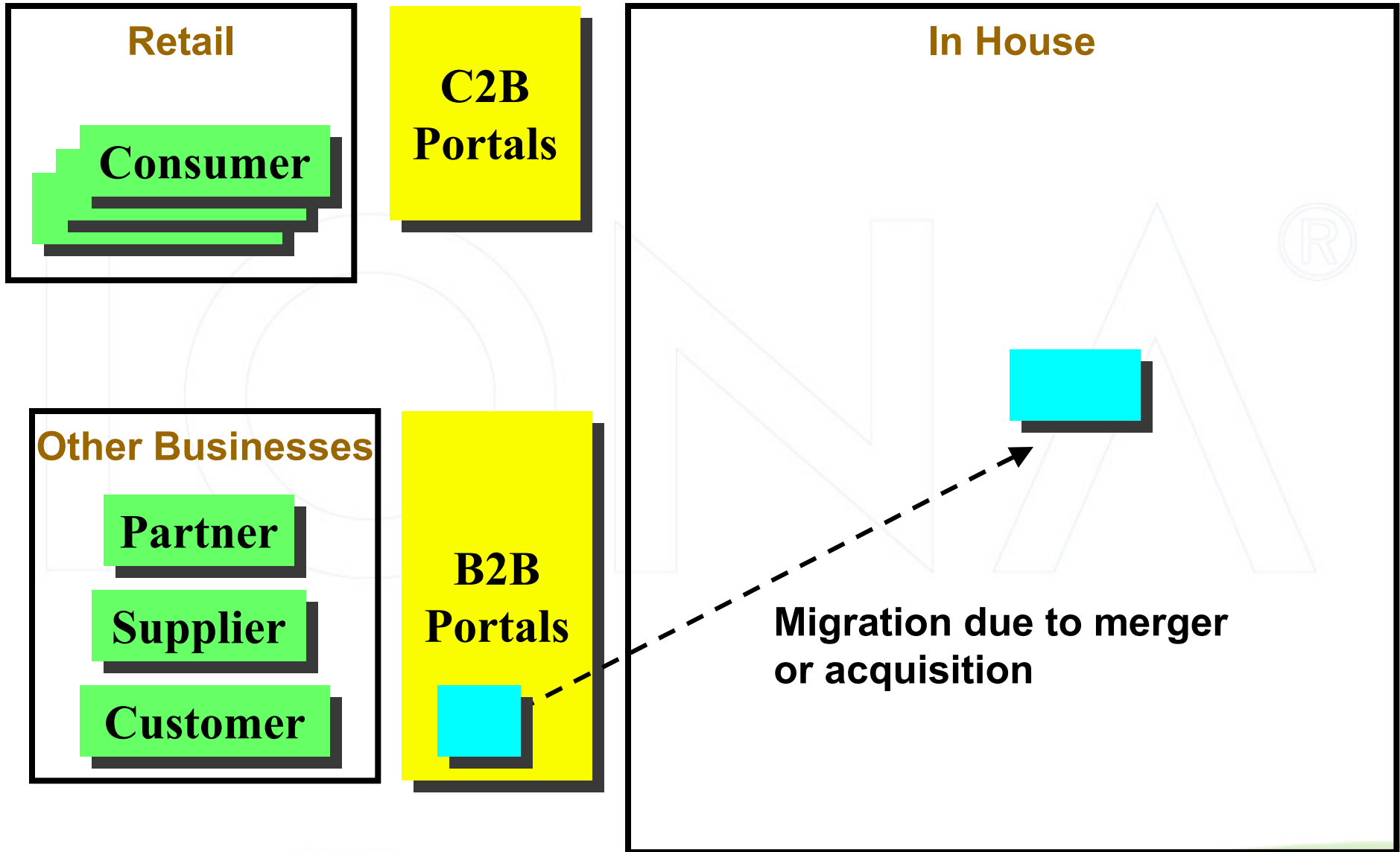
Integration Communication Appropriate to the Context



But Enterprise Boundaries Keep Shifting!



Boundaries Can Shift the Other Way Too



The Challenge



- **Requirement:** Preserve investment
 - As enterprise borders shift requiring platform shift
 - As platforms themselves change
 - EJB 1.1 → EJB 2.0
 - XML → XML Schema
 - MTS → COM+
 - CORBA® 2.X → CORBA 3.0
- **Solution:** Isolate information and processing logic from technology specifics
 - Build platform-independent models
 - UML™ is independent of CORBA, COM, EJB, XML, etc., and thus is well-suited as a language for describing these models
 - Map these models to specific platforms
 - Maintain the separation at the implementation level

UML is a trademark of the Object Management Group (OMG)

Deriving Platform-Specific Artifacts from Platform-Independent Models



Platform-Independent Application Model (in UML)



CORBA

EJB/J2EE

XML

MTS/COM+

MDA and IONA



- IONA is in the forefront of the move to MDA
 - Very active in OMG MDA-based standards
 - UML, MOF, XMI, and CWM, etc.
 - IONA a co-author of UML Profile for EJB as well
 - IONA Global Services uses MDA principles to create flexible software solutions for customers
- Why is MDA important to IONA?
 - CORBA is strategic for IONA
 - But so are J2EE and XML
 - IONA has a J2EE application server and significant XML initiatives as well
 - MDA important for building solutions that can be flexibly applied in this kind of evolving environment
 - IONA's Total Business Integration (TBI) requires this kind of flexibility